

34TH FS WRESTLING TOURNAMENT ((TAKHTI CUP))



TEHRAN (IRI)

2014-02-05 - 2014-02-07 2014

Résultats - Results





Liste des équipes / Teams List

34th FS Wrestling tournament ((Takhti Cup))

STYLE FS



Equipes - Teams

| | | |
|--|-------------|-----|
| | ARMENIA | ARM |
| | AZERBAIJAN | AZE |
| | GEORGIA | GEO |
| | HUNGARY | HUN |
| | IRAN R.I. | IRI |
| | IRAQ | IRQ |
| | JAPAN | JPN |
| | KAZAKHSTAN | KAZ |
| | KYRGYZSTAN | KGZ |
| | MONGOLIA | MGL |
| | NICARAGUA | NCA |
| | NORTH KOREA | PRK |
| | ROMANIA | ROU |
| | RUSSIA | RUS |
| | TUNISIA | TUN |
| | TURKEY | TUR |
| | UKRAINE | UKR |

Nombre d'équipes - Number of Teams

17

**Nombre d'engagés par équipe / Number of Entries By Team****34th FS Wrestling tournament ((Takhti Cup))****STYLE FS**

| Equipe - Teams | 125 KG | 57 KG | 61 KG | 65 KG | 70 KG | 74 KG | 86 KG | 97 KG | TOTAL |
|-----------------------|---------------|--------------|--------------|--------------|--------------|--------------|--------------|--------------|--------------|
| ARM | 1 | 1 | 1 | 1 | 1 | 1 | 1 | | 7 |
| AZE | | 2 | 1 | 1 | | 1 | 1 | 1 | 7 |
| GEO | 1 | 4 | 1 | 1 | 1 | 1 | 1 | 2 | 12 |
| HUN | 2 | | 1 | | 2 | | 3 | 1 | 9 |
| IRI | 7 | 8 | 4 | 5 | 6 | 6 | 6 | 5 | 47 |
| IRQ | | | | | | 1 | | 1 | 2 |
| JPN | 1 | 2 | 2 | 2 | | 1 | | 1 | 9 |
| KAZ | 2 | 5 | 5 | 2 | 3 | 4 | 4 | 1 | 26 |
| KGZ | 1 | 2 | 1 | 1 | | 2 | 2 | 1 | 10 |
| MGL | | 3 | 1 | 2 | | 2 | | | 8 |
| NCA | | | 1 | | | | 1 | | 2 |
| PRK | | 2 | 2 | 1 | 2 | 1 | | | 8 |
| ROU | 1 | 1 | | 1 | | | | 1 | 4 |
| RUS | | | | | | | 1 | | 1 |
| TUN | 1 | 1 | 1 | 1 | | 1 | 1 | 1 | 7 |
| TUR | 1 | 1 | 2 | 1 | 1 | 1 | 2 | 2 | 11 |
| UKR | 1 | 1 | 1 | 1 | 1 | 1 | 1 | 1 | 8 |
| TOTAL | 19 | 33 | 24 | 20 | 17 | 23 | 24 | 18 | 178 |

Nombre de nations - Number of Countries **17**

34th Fajr International SENIOR G.R Wrestling Tournament "TAKHTI Cup"

TEHRAN, I.R. IRAN - FEB 6 - 7 - 2014

FILA Delegate Jury : GULAMOV TOKHIR (UZB) OLY

Jury : KULMATOV KOCHKOR (KGZ) OLY – ARDAVAN SAHEB (IRI) OLY

| MAT A | | | | |
|-------|-----------------------------|-----|-------|-----|
| NO. | NAME&FAMILY | CUN | Li,NO | CAT |
| 1 | ADELPOUR Mohammad | IRI | 2403 | I |
| 3 | GYARMATI FERENC | ROU | 4150 | I |
| 5 | KHARRAZI MOHAMED JAMEL | TUN | 3204 | I |
| 7 | MOHAMMADI Eynollah | IRI | 2609 | I |
| 9 | AHMADI Mirza Agha | IRI | 3053 | I |
| 11 | EFTEKHARIAN Seyed Mohommad | IRI | 3686 | I |
| 13 | KARIMI EBRAHIM | IRI | 4250 | I |
| 15 | PAVLOV ROMAN | UKR | 4695 | I |
| 17 | AMJADI Babak | IRI | 4735 | I |
| 19 | MOHAMMADIAN ABBAS | CAN | 4955 | I |
| 21 | ROSTAMIPOUR GARKANI Masoud | IRI | 5044 | I |
| 23 | TAGHAVI MOHAMMAD HOSSEIN | IRI | 2183 | II |
| 25 | HOSSINI SEYED HOSSIN | IRI | 2577 | II |
| 27 | MALIKALIYEV KHANMIRZA | AZE | 3101 | II |
| 29 | SABZALI ABOLFAZL | IRI | 4035 | II |
| 31 | SAHAKYAN GURGEN | ARM | 4732 | II |
| 33 | TSERENKHUU TSEDEV | MGL | 5049 | II |
| 35 | SHALABAYEV BERIK | KAZ | 5443 | III |
| MAT B | | | | |
| 2 | EMAMI MOHAMMAD EBRAHIM | IRI | 2648 | I |
| 4 | ETAATI Aziz Allah | IRI | 2646 | I |
| 6 | Yusuf ATILGAN | TUR | 4392 | I |
| 8 | TAHER ZANGENEH Mohammad Ali | IRI | 2679 | I |
| 10 | DAMGHANI NEJAD Ahmad | IRI | 2680 | I |
| 12 | MOHAMMADI Asghar | IRI | 3120 | I |
| 14 | ABEDIN NEJAD Feridun | IRI | 3489 | I |
| 16 | FOROUTAN Nasser | IRI | 4108 | I |
| 18 | GARMRODI Seyyed Ali | IRI | 2581 | I |
| 20 | KARIMI Javad | IRI | 4534 | I |
| 22 | BOUSLAHI MOHAMED | TUN | 4619 | I |
| 24 | KISMONI JANOS | HUN | 4644 | I |
| 26 | KUNINORI KOIKE | JAP | 4717 | I |
| 28 | MANSORI IRAJ | IRI | 2649 | II |
| 30 | DEHGHAN SOHRAB | IRI | 3542 | II |
| 32 | AMJADI MASOUD | IRI | 5200 | II |
| 34 | KOTISHADZE GIA | GEO | 3317 | III |



Liste des Engagés par pays / Entry-List By Country

34th FS Wrestling tournament ((Takhti Cup))



STYLE FS

ARMENIA (ARM)

| | |
|---|---|
| Chef de délégation / Team Leader : | DOLATKHAH, Ali |
| Entraîneur / Coach : | KURGHINYAN, Habetnak HAYRAPETYAN, Arshak |
| Médecin / Medical Staff : | MALKHASYAN, Norik |
| Lutteur(s) / Wrestler(s) : | |
| 125 kg | ABRAHAMYAN, Hamlet |
| 57 kg | HOVHANNISYAN, Artak |
| 61 kg | FRANGULYAN, Valodya |
| 65 kg | BAGHDASARYAN, Artur |
| 70 kg | POGHOSYAN, Ishkhan |
| 74 kg | KOJOYAN, Varuzhan |
| 86 kg | TAMRAZYAN, Vahe |

AZERBAIJAN (AZE)

| | |
|---|--|
| Chef de délégation / Team Leader : | ALIJANOV, Nazim |
| Entraîneur / Coach : | ALIJANOV, Nazim |
| Kiné / Medical Staff : | ASLANOV, Elgun |
| Lutteur(s) / Wrestler(s) : | |
| 57 kg | HASANZADA, Mirjalal SOVDUMZADA, Namig |
| 61 kg | MAMMADOV, Umid |
| 65 kg | AZIMOV, Joshan |
| 74 kg | ISRAFILLI, Bakhtiyar |
| 86 kg | ABDULKHALIKOV, Magomed |
| 97 kg | BAKIROV, Roman |

GEORGIA (GEO)

| | |
|---|---|
| Chef de délégation / Team Leader : | KURTANIDZE LUKA -, Eldar |
| Entraîneur / Coach : | KAKHNIASHVILI, Aleksandre, KITIASHVILI, Archi MINDORASHVILI, Revazi |
| Lutteur(s) / Wrestler(s) : | |
| 125 kg | MODZMANASHVILI, Davit |
| 57 kg | BUJIASHVILI, Beka GOGAVA, Otari TALAKHADZE, Lasha TSALKALAMANIDZE, Levan |



Liste des Engagés par pays / Entry-List By Country

34th FS Wrestling tournament ((Takhti Cup))



STYLE FS

| | |
|-------|--|
| 61 kg | KHINCHEGASHVILI, Vladimer |
| 65 kg | KHABALASHVILI, Konstantine |
| 70 kg | BASILASHVILI, Dimitri |
| 74 kg | MAKARASHVILI, Jakob |
| 86 kg | AMINASHVILI, Sandro |
| 97 kg | KERASHVILI, Dato KURTANIDZE LUKA -, Eldar |

HUNGARY (HUN)

Chef de délégation / Team Leader : LAZAR, Janos

Entraîneur / Coach : GULYAS, Istvan

Lutteur(s) / Wrestler(s) :

| | |
|--------|--|
| 125 kg | CSERCSECS, Richard LIGETI, Daniel |
| 61 kg | MOLNAR, Jozsef |
| 70 kg | GULYAS, Zsombor LUKACS, Norbert |
| 86 kg | HATOS, Gabor LIGSTI, Richard VEREB, Istvan |
| 97 kg | SZMIK, Attila |

IRAN R.I. (IRI)

Chef de délégation / Team Leader : BAYAT, Ali

AALI, Parviz

Entraîneur / Coach : DODANGEH, Aliakbart

LAYEGH, Reza

TALAEI, Mohammad

REZAEI, Alireza

MOHAMMA, Gholamreza

KAVEH, Mohsen

TAVAKKOLIAN, Amir

LORESTANI, Alireza

NAGHIBI, Hossein

MOHAMMADI, Majid

MONTAZERIANI, Farhad

SHEUKHRYHANI, Alireza

KARIMI, Hossein

GODARZI, Sadegh



Liste des Engagés par pays / Entry-List By Country

34th FS Wrestling tournament ((Takhti Cup))



STYLE FS

| | |
|-----------------------------------|---|
| | SAMEHEI, Reza |
| | JAMSHIDI, Hamidreza |
| Médecin / Medical Staff : | AZADBAKHT, Dawod |
| | AMIRSASAN, Ramin |
| | KAZEMIGORJI, Mehdi |
| Kiné / Medical Staff : | GOVARI, Mohammad |
| Lutteur(s) / Wrestler(s) : | |
| 125 kg | AZARSHAKIB, Seyedmohammadreza GHASEMI, Komil GHOMIAVILI, Abdollah HADIBASMANJ, Parviz KARIMI, Ahmad RASOULI, Seyedahmad SADEGHZADEHNOUKOLAEI, Jabber |
| 57 kg | ATRINAGHARCHI, Reza HOJJATI, Danyal JALAEI, Farhad JALALIBAHAR, Vahid JALALIBAHAR, Omid REZAZADEHGANJI, Mehran SARMASTIDIZAJI, Younes YAGHOBIZELETI, Mostafa |
| 61 kg | DABBAGHISOURAKI, Abbas KARIMIZAD, Hemmat MOHAMMADIPAHNEHKOLAE, Seyedahmad MORADGHALIEI, Hassan |
| 65 kg | JABALI, Aliasghar KOLIVAND, Farzad NASIRI, Meysam NASIRIAFRACHALI, Ebrahim RASHIDI, Hamed |
| 70 kg | DADASHPOURKARIKALAEI, Saeid GOODARZISORKHI, Morteza HOSSEINKHANI, Mostafa MOHAMMADZADEHARAB, Sobhan YARAHMADI, Peyman YEGANEHJAFARI, Mohammadmehdi |
| 74 kg | AFZALIPAEMAMI, Reza AKBARIZARINKOLAEI, Ezzatollah GHASICHEKA, Mostafa MOHAMMADIAN, Iman REZAEIGHALEH, Morteza REZAEIKALVANI, Hamed |
| 86 kg | EBRAHIMIZIVLAEI, Mohammadjavad KARIMIMACHIANI, Alireza MOHAMMADIN, Mohammadhossein MOSTAJOUKAR, Meisam NEJAEYANAHMADIAN, Esmaeil ZAMAN, Jalal |
| 97 kg | AMIRI, Saeid JAMSHIDI, Pedram |



Liste des Engagés par pays / Entry-List By Country

34th FS Wrestling tournament ((Takhti Cup))



STYLE FS

MOHAMMADI, Amir
TAHAN, Abbas
TALEBIZARRINKAMAR, Hamed

IRAQ (IRQ)

Chef de délégation / Team Leader : OWNER, Ali Jassim

Entraîneur / Coach : NAZERI, Nader

Lutteur(s) / Wrestler(s) :

74 kg MOHSEN, Ahmed

97 kg SALAH, Ahmed

JAPAN (JPN)

Chef de délégation / Team Leader : KODAIRA, Kiyotaka

Entraîneur / Coach : INOUE, Kenji

Médecin / Medical Staff : KAWASAKI, Aisushi

Kiné / Medical Staff : KATARO, Fiu

Lutteur(s) / Wrestler(s) :

125 kg ARAKIDA, Nobuyoshi

57 kg MORISHETA, Fumitaka
TAKAHASHI, Yuki

61 kg KAWASE, Katsuyoshi
TAKATSUKA, Noriyuki

65 kg ISHDA, Tomotsugu
TAKATANI, Daichi

74 kg TAKATANI, Sohsume

97 kg YAMAGUCHI, Takeshi

KAZAKHSTAN (KAZ)

Chef de délégation / Team Leader : UMRALIYEV, Ruslan

Entraîneur / Coach : BAIGULOV, Aslan
NAZYMBEKOV, Gani

UMRALIYEV, Ruslan

ABDRASHEV, Askar

Médecin / Medical Staff : USKIBAYEV, Muratbek

KLIPAN, Andrey

Lutteur(s) / Wrestler(s) :

125 kg POPOV, Dmitriy
SHABANBAY, Daulet



Liste des Engagés par pays / Entry-List By Country

34th FS Wrestling tournament ((Takhti Cup))



STYLE FS

| | |
|-------|--|
| 57 kg | BAIMURATOV, Aidarbek BEISENOV, Darkhan ISMAILOV, Zhandos KALIYEV, Rasaul NAIZABEKOV, Nursultan |
| 61 kg | ASHIROV, Meirzhan NIYAZBEKOV, Daulet SEKSENBAYEV, Ruslan TOLEUKENOV, Damir TURGAN, Nurlan |
| 65 kg | BAKEEV, Amandyk ZHUMAGAZYEV, Dauren |
| 70 kg | AZIZOV, Aslan OMURZHANOV, Azamat SAKAYEV, Bolat |
| 74 kg | BARAMIDZE, Tsotne IZBASSAROV, Bakhtiyar TANATAROV, Akzhurek ZAKIROV, Zhiger |
| 86 kg | ABARASHEV, Yeraly AZIZOV, Islam KAKHIDZE, Aslan NURZHUMBAYEV, Yesbolat |
| 97 kg | JUMAYEV, Alikhan |

KYRGYZSTAN (KGZ)

Chef de délégation / Team Leader : USENKANOV, Anarbek

Entraîneur / Coach : ASANBEKOV, Azamat

Lutteur(s) / Wrestler(s) :

| | |
|--------|--|
| 125 kg | LAZAREV, Aiaal |
| 57 kg | ALYMBAEV, Altynbek KADYRKULOV, Kanybek |
| 61 kg | BAZARGURUEV, Bazar |
| 65 kg | OMURZAKOV, Almaz |
| 74 kg | INNOKENTIEV, Innokentii SHOPOKOV, Iskhakbek |
| 86 kg | BAZAROV, Bator SULTANALIEV, Beksultan |
| 97 kg | MUSAEV, Magomed |

MONGOLIA (MGL)

Chef de délégation / Team Leader : BAYARAA, Byambarinchin

Entraîneur / Coach : PUREVBAATAR, Oyunbileg

Lutteur(s) / Wrestler(s) :



Liste des Engagés par pays / Entry-List By Country

34th FS Wrestling tournament ((Takhti Cup))



STYLE FS

| | |
|-------|--|
| 57 kg | BEKHBAYAR, Erdenebat NOMIN, Batbold TUVSHINTULGA, Tumenbileg |
| 61 kg | LKHAMGARMAA, Narmandakh |
| 65 kg | BATMAGNAI, Batchuluun SANCHIR, Batsukh |
| 74 kg | ANKHBAYAR, Batchuluun GOMBODORJ, Dorjvaanchig |

NICARAGUA (NCA)

Entraîneur / Coach : AGUILAR, Francisco

Lutteur(s) / Wrestler(s) :

| | |
|-------|-------------------|
| 61 kg | MENDIETA, Alberto |
| 86 kg | TRUJILLO, Felix |

NORTH KOREA (PRK)

Chef de délégation / Team Leader : RI SANG, Jin

Entraîneur / Coach : KIM SUN, Chol

Kiné / Medical Staff : HAN SU, Min

Lutteur(s) / Wrestler(s) :

| | |
|-------|-------------------------------------|
| 57 kg | JONG HAK, Jin YANG KYONG, Il |
| 61 kg | HWANG RYONG, Hak RI JONG, Myong |
| 65 kg | KANG JIN, Hyok |
| 70 kg | KANG KYONG, Hyok YANG CHUN, Song |
| 74 kg | SONG CHOL, Min |

ROMANIA (ROU)

Chef de délégation / Team Leader : GYARHATI, Perenc

Entraîneur / Coach : CIMPOERU, Aurel

Médecin / Medical Staff : POPESCA, Adrian

Lutteur(s) / Wrestler(s) :

| | |
|--------|-----------------|
| 125 kg | CHINTOAN, Rares |
| 57 kg | DUKOV, Andrei |
| 65 kg | BUCUR, George |
| 97 kg | CARAS, Ulad |



Liste des Engagés par pays / Entry-List By Country

34th FS Wrestling tournament ((Takhti Cup))

STYLE FS



RUSSIA (RUS)

Lutteur(s) / Wrestler(s) :

86 kg GAMIDGADZHIEV, Aligadzhi

TUNISIA (TUN)

Chef de délégation / Team Leader : BOUSLAHI, Mohamed

Entraîneur / Coach : KHEDHRI, Ahmed

Lutteur(s) / Wrestler(s) :

125 kg TRABELSI, Slim
57 kg METHLOUTHI, Chedli
61 kg BEN ALAYECH, Haithem
65 kg GHANMI, Maher
74 kg AYACHI, Borrhane
86 kg RHIMI, Adnan
97 kg RHIMI, Rochdi

TURKEY (TUR)

Chef de délégation / Team Leader : FAITH, Arslan

Entraîneur / Coach : BAYSAL, Nesrullah

Médecin / Medical Staff : ÖZTÜRK, Ugur

Lutteur(s) / Wrestler(s) :

125 kg ÖZKARADEN?Z, Hamza
57 kg KARABOGA, Ali
61 kg AVCI, ?smail
DOGAN, Burak
65 kg ÖZTÜRK, Ugur
70 kg BOZKURT, Emgin
74 kg ÖZTÜRK, Ali
86 kg DEM?RTAS, Cener
ÖZASLAN, Samed
97 kg BONCUOGLU, Ali
DOULU, Emrullh

UKRAINE (UKR)

Chef de délégation / Team Leader : NOSADCHYY, Eduard

Entraîneur / Coach : NAZARENKO, Yuriy

DANKO, Grygori



Liste des Engagés par pays / Entry-List By Country

34th FS Wrestling tournament ((Takhti Cup))

STYLE FS



Lutteur(s) / Wrestler(s) :

| | |
|--------|---------------------------|
| 125 kg | KHOTSIANIVSKYI, Oleksandr |
| 57 kg | RATUSHNY, Sergiy |
| 61 kg | FEDRRYSHIN, Vasyl |
| 65 kg | RADULOV, Semen |
| 70 kg | NAGORNYI, Andrii |
| 74 kg | CHYKHLADZE, Giya |
| 86 kg | TSOTADZE, Dzhambuli |
| 97 kg | OLIINYK, Pavlo |



Feuille de compétition / Competition Sheet

34th FS Wrestling tournament ((Takhti Cup))



STYLE : FS 57 kg

| QUALIFICATION | | | | 1/16 FINALE | | | | 1/8 FINALE | | | | | | | | | |
|---------------|--------------------------|--|--|-------------|--|----|----|------------|----|---|--------------------------|----|----|-----|----|----|----|
| 1 | REZAZADEHGANJI M. (IRI) | | | 1 | $\frac{3}{7}$ REZAZADEHGANJI M. (IRI) | P1 | P2 | P3 | 1 | 0 | IRI | P1 | P2 | P3 | | | |
| | | | | | | 3 | 4 | 0 | | | | 1 | 2 | 0 | | | |
| 2 | HASANZADA Mirjalal (AZE) | | | 2 | $\frac{1}{2}$ HASANZADA Mirjalal (AZE) | P1 | P2 | P3 | 4 | 5 | MGL | P1 | P2 | P3 | | | |
| | | | | | | 1 | 1 | 0 | | | | 0 | 6 | 0 | | | |
| 3 | HOVHANNISYAN Artak (ARM) | | | 3 | $\frac{1}{5}$ HOVHANNISYAN Artak (ARM) | P1 | P2 | P3 | 5 | 3 | IRI | P1 | P2 | P3 | | | |
| | | | | | | 5 | 0 | 0 | | | | 6 | 0 | 0 | | | |
| 4 | NOMIN Batbold (MGL) | | | 4 | $\frac{4}{7}$ NOMIN Batbold (MGL) | P1 | P2 | P3 | 6 | 1 | JPN | P1 | P2 | P3 | | | |
| | | | | | | 1 | 6 | 0 | | | | 0 | 4 | 0 | | | |
| 5 | YAGHOBIZELETI M. (IRI) | | | 5 | $\frac{3}{1}$ YAGHOBIZELETI M. (IRI) | P1 | P2 | P3 | 7 | 1 | KAZ | P1 | P2 | P3 | | | |
| | | | | | | 1 | 0 | 0 | | | | 1 | 2 | 0 | | | |
| 6 | SOVDUMZADA Namig (AZE) | | | 6 | $\frac{1}{1}$ SOVDUMZADA Namig (AZE) | P1 | P2 | P3 | 8 | 0 | BEISENOV Darkhan (KAZ) | P1 | P2 | P3 | | | |
| | | | | | | 1 | 0 | 0 | | | | 0 | 0 | 0 | | | |
| 7 | ISMAILOV Zhandos (KAZ) | | | 7 | $\frac{5}{3}$ ISMAILOV Zhandos (KAZ) | P1 | P2 | P3 | 9 | 3 | TAKAHASHI Yuki (JPN) | P1 | P2 | P3 | | | |
| | | | | | | 1 | 2 | 0 | | | | 3 | 4 | 0 | | | |
| 8 | BEISENOV Darkhan (KAZ) | | | 8 | $\frac{0}{0}$ BEISENOV Darkhan (KAZ) | P1 | P2 | P3 | 10 | 1 | ALYMBAEV Altynbek (KGZ) | P1 | P2 | P3 | | | |
| | | | | | | 0 | 0 | 0 | | | | 0 | 4 | 0 | | | |
| 9 | TAKAHASHI Yuki (JPN) | | | 9 | $\frac{3}{7}$ TAKAHASHI Yuki (JPN) | P1 | P2 | P3 | 11 | 4 | JONG HAK Jin (PRK) | P1 | P2 | P3 | | | |
| | | | | | | 3 | 4 | 0 | | | | 2 | 1 | 0 | | | |
| 10 | ALYMBAEV Altynbek (KGZ) | | | 10 | $\frac{1}{4}$ ALYMBAEV Altynbek (KGZ) | P1 | P2 | P3 | 12 | 1 | SARMASTIDIZAJI Y. (IRI) | P1 | P2 | P3 | | | |
| | | | | | | 0 | 4 | 0 | | | | 2 | 0 | 0 | | | |
| 11 | JONG HAK Jin (PRK) | | | 11 | $\frac{4}{3}$ JONG HAK Jin (PRK) | P1 | P2 | P3 | 13 | 3 | TALAKHADZE Lasha (GEO) | P1 | P2 | P3 | | | |
| | | | | | | 2 | 1 | 0 | | | | 2 | 2 | 0 | | | |
| 12 | SARMASTIDIZAJI Y. (IRI) | | | 12 | $\frac{1}{2}$ SARMASTIDIZAJI Y. (IRI) | P1 | P2 | P3 | 14 | 1 | NAIZABEKOV N. (KAZ) | P1 | P2 | P3 | | | |
| | | | | | | 2 | 0 | 0 | | | | 0 | 0 | 0 | | | |
| 13 | TALAKHADZE Lasha (GEO) | | | 13 | $\frac{3}{4}$ TALAKHADZE Lasha (GEO) | P1 | P2 | P3 | 15 | 4 | GOGAVA Otari (GEO) | P1 | P2 | P3 | | | |
| | | | | | | 2 | 2 | 0 | | | | 8 | 8 | 0 | | | |
| 14 | NAIZABEKOV N. (KAZ) | | | 14 | $\frac{1}{0}$ NAIZABEKOV N. (KAZ) | P1 | P2 | P3 | 16 | 1 | JALAEI Farhad (IRI) | P1 | P2 | P3 | | | |
| | | | | | | 0 | 0 | 0 | | | | 5 | 0 | 0 | | | |
| 15 | GOGAVA Otari (GEO) | | | 15 | $\frac{4}{16}$ GOGAVA Otari (GEO) | P1 | P2 | P3 | 17 | 3 | KALIYEV Rasaul (KAZ) | P1 | P2 | P3 | | | |
| | | | | | | 8 | 8 | 0 | | | | 4 | 7 | 0 | | | |
| 16 | JALAEI Farhad (IRI) | | | 16 | $\frac{1}{5}$ JALAEI Farhad (IRI) | P1 | P2 | P3 | 18 | 1 | ATRINAGHARCHI Reza (IRI) | P1 | P2 | P3 | | | |
| | | | | | | 5 | 0 | 0 | | | | 0 | 6 | 0 | | | |
| 17 | KALIYEV Rasaul (KAZ) | | | 17 | $\frac{3}{11}$ KALIYEV Rasaul (KAZ) | P1 | P2 | P3 | 19 | 1 | TUVSHINTULGA T. (MGL) | P1 | P2 | P3 | | | |
| | | | | | | 4 | 7 | 0 | | | | 2 | 2 | 0 | | | |
| 18 | ATRINAGHARCHI Reza (IRI) | | | 18 | $\frac{1}{6}$ ATRINAGHARCHI Reza (IRI) | P1 | P2 | P3 | 20 | 0 | RATUSHNY Sergiy (UKR) | P1 | P2 | P3 | | | |
| | | | | | | 0 | 6 | 0 | | | | 0 | 0 | 0 | | | |
| 19 | TUVSHINTULGA T. (MGL) | | | 19 | $\frac{1}{4}$ TUVSHINTULGA T. (MGL) | P1 | P2 | P3 | 21 | 4 | BAIMURATOV A. (KAZ) | P1 | P2 | P3 | | | |
| | | | | | | 2 | 2 | 0 | | | | 1 | 0 | 0 | | | |
| 20 | RATUSHNY Sergiy (UKR) | | | 20 | $\frac{3}{7}$ RATUSHNY Sergiy (UKR) | P1 | P2 | P3 | 22 | 0 | TSALKALAMANIDZE L. (GEO) | P1 | P2 | P3 | | | |
| | | | | | | 0 | 7 | 0 | | | | 0 | 0 | 0 | | | |
| 21 | BAIMURATOV A. (KAZ) | | | 21 | $\frac{4}{1}$ BAIMURATOV A. (KAZ) | P1 | P2 | P3 | 23 | 0 | METHLOUTHI Chedli (TUN) | P1 | P2 | P3 | | | |
| | | | | | | 1 | 0 | 0 | | | | 0 | 0 | 0 | | | |
| 22 | TSALKALAMANIDZE L. (GEO) | | | 22 | $\frac{0}{0}$ TSALKALAMANIDZE L. (GEO) | P1 | P2 | P3 | 24 | 3 | KARABOGA Ali (TUR) | P1 | P2 | P3 | | | |
| | | | | | | 0 | 0 | 0 | | | | 4 | 0 | 0 | | | |
| 23 | METHLOUTHI Chedli (TUN) | | | 23 | $\frac{0}{0}$ METHLOUTHI Chedli (TUN) | P1 | P2 | P3 | 25 | 0 | KADYRKULOV kanybek (KGZ) | P1 | P2 | P3 | | | |
| | | | | | | 0 | 0 | 0 | | | | 0 | 0 | 0 | | | |
| 24 | KARABOGA Ali (TUR) | | | 24 | $\frac{3}{4}$ KARABOGA Ali (TUR) | P1 | P2 | P3 | 26 | 4 | YANG KYONG II (PRK) | P1 | P2 | P3 | | | |
| | | | | | | 4 | 0 | 0 | | | | 1 | 0 | 0 | | | |
| 25 | KADYRKULOV kanybek (KGZ) | | | 25 | $\frac{0}{0}$ KADYRKULOV kanybek (KGZ) | P1 | P2 | P3 | 27 | 3 | BEKHBAYAR E. (MGL) | P1 | P2 | P3 | | | |
| | | | | | | 0 | 0 | 0 | | | | 2 | 6 | 0 | | | |
| 26 | YANG KYONG II (PRK) | | | 26 | $\frac{4}{1}$ YANG KYONG II (PRK) | P1 | P2 | P3 | 28 | 1 | JALALIBAHAR Omid (IRI) | P1 | P2 | P3 | | | |
| | | | | | | 1 | 0 | 0 | | | | 2 | 2 | 0 | | | |
| 27 | BEKHBAYAR E. (MGL) | | | 27 | $\frac{3}{8}$ BEKHBAYAR E. (MGL) | P1 | P2 | P3 | 29 | 1 | BUJIASHVILI Beka (GEO) | P1 | P2 | P3 | | | |
| | | | | | | 2 | 6 | 0 | | | | 2 | 6 | 0 | | | |
| 28 | JALALIBAHAR Omid (IRI) | | | 28 | $\frac{1}{4}$ JALALIBAHAR Omid (IRI) | P1 | P2 | P3 | 30 | 3 | JALALIBAHAR Vahid (IRI) | P1 | P2 | P3 | | | |
| | | | | | | 2 | 2 | 0 | | | | 0 | 3 | 0 | | | |
| 29 | BUJIASHVILI Beka (GEO) | | | 29 | $\frac{1}{8}$ BUJIASHVILI Beka (GEO) | P1 | P2 | P3 | 31 | 1 | DUKOV Andrei (ROU) | P1 | P2 | P3 | | | |
| | | | | | | 2 | 6 | 0 | | | | 2 | 0 | 0 | | | |
| 30 | JALALIBAHAR Vahid (IRI) | | | 30 | $\frac{3}{3}$ JALALIBAHAR Vahid (IRI) | P1 | P2 | P3 | 32 | 1 | HOJJATI Danyal (IRI) | P1 | P2 | P3 | | | |
| | | | | | | 0 | 3 | 0 | | | | 2 | 1 | 0 | | | |
| 31 | DUKOV Andrei (ROU) | | | 31 | $\frac{1}{2}$ DUKOV Andrei (ROU) | P1 | P2 | P3 | 33 | 3 | MORISHETA Fumitaka (JPN) | P1 | P2 | P3 | | | |
| | | | | | | 2 | 0 | 0 | | | | 0 | 6 | 0 | | | |
| 32 | HOJJATI Danyal (IRI) | | | 32 | $\frac{1}{3}$ HOJJATI Danyal (IRI) | P1 | P2 | P3 | | | | 4 | 16 | JPN | P1 | P2 | P3 |
| | | | | | | 2 | 1 | 0 | | | | 9 | 7 | 0 | | | |
| 33 | MORISHETA Fumitaka (JPN) | | | 33 | $\frac{3}{6}$ MORISHETA Fumitaka (JPN) | P1 | P2 | P3 | | | | | | | | | |
| | | | | | | 0 | 6 | 0 | | | | | | | | | |



Feuille de compétition / Competition Sheet

34th FS Wrestling tournament ((Takhti Cup))

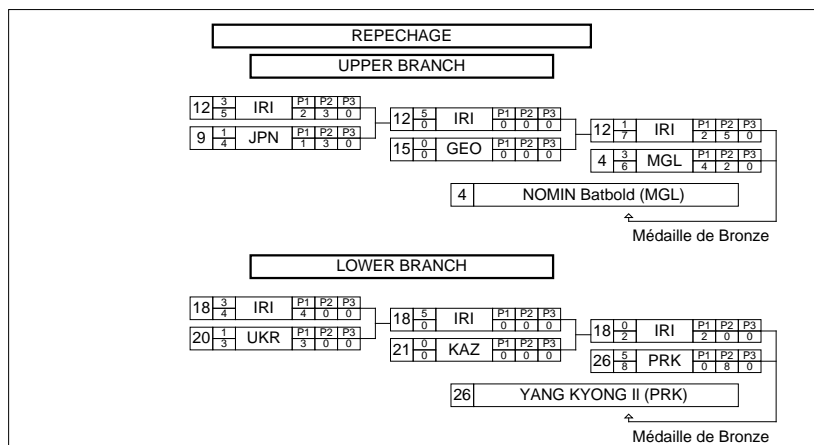


STYLE : FS 57 kg



Classement

| Cl | Pays | Nom |
|----|------|---------------------|
| 1 | PRK | JONG HAK Jin |
| 2 | KAZ | KALIYEV Rasaul |
| 3 | MGL | NOMIN Batbold |
| 3 | PRK | YANG KYONG II |
| 5 | IRI | SARMASIDIZAJI Y. |
| 5 | IRI | ATRINAGHARCHI Reza |
| 7 | JPN | MORISHETA Fumitaka |
| 8 | KAZ | BAIMURATOV Aidarbek |
| 9 | GEO | GOGAVA Otari |
| 10 | KAZ | ISMAILOV Zhandos |
| 11 | IRI | YAGHOBIZELETI M. |
| 12 | JPN | TAKAHASHI Yuki |
| 13 | UKR | RATUSHNY Sergiy |
| 14 | MGL | BEKHBAYAR Erdenebat |
| 15 | IRI | JALALIBAHAR Vahid |
| 16 | GEO | TALAKHADZE Lasha |
| 17 | IRI | REZAZADEHGANJI M. |
| 18 | TUR | KARABOGA Ali |
| 19 | GEO | BUJIASHVILI Beka |
| 20 | ARM | HOVHANNISYAN Arak |





Classement

34th FS Wrestling tournament ((Takhti Cup))



STYLE : FS 57 kg

1 - Or / Gold



JONG HAK Jin

2 - Argent / Silver



KALIYEV Rasaul

3 - Bronze



NOMIN Batbold



YANG KYONG II

| Classement | Nom - Name | Pays - Country |
|------------|---------------------|----------------|
| 1 | JONG HAK Jin | PRK |
| 2 | KALIYEV Rasaul | KAZ |
| 3 | NOMIN Batbold | MGL |
| 3 | YANG KYONG II | PRK |
| 5 | SARMASTIDIZAJI Y. | IRI |
| 5 | ATRINAGHARCHI Reza | IRI |
| 7 | MORISHETA Fumitaka | JPN |
| 8 | BAIMURATOV Aidarbek | KAZ |
| 9 | GOGAVA Otari | GEO |
| 10 | ISMAILOV Zhandos | KAZ |
| 11 | YAGHOBIZELETI M. | IRI |
| 12 | TAKAHASHI Yuki | JPN |
| 13 | RATUSHNY Sergiy | UKR |
| 14 | BEKHBAYAR Erdenebat | MGL |
| 15 | JALALIBAHAR Vahid | IRI |
| 16 | TALAKHADZE Lasha | GEO |
| 17 | REZAZADEHGANJI M. | IRI |
| 18 | KARABOGA Ali | TUR |
| 19 | BUJIASHVILI Beka | GEO |
| 20 | HOVHANNISYAN Artak | ARM |
| 21 | JALAEI Farhad | IRI |
| 22 | TUVSHINTULGA T. | MGL |
| 22 | ALYMBAEV Altynbek | KGZ |
| 24 | JALALIBAHAR Omid | IRI |
| 25 | HOJJATI Danyal | IRI |
| 26 | DUKOV Andrei | ROU |
| 27 | HASANZADA Mirjalal | AZE |
| 28 | SOVDUMZADA Namig | AZE |
| 29 | NAIZABEKOV N. | KAZ |
| 30 | KADYRKULOV kanybek | KGZ |

**Classement****34th FS Wrestling tournament ((Takhti Cup))**

STYLE : FS 57 kg



| Classement | Nom - Name | Pays - Country |
|-------------------|--------------------|-----------------------|
| 30 | TSALKALAMANIDZE L. | GEO |
| 32 | BEISENOV Darkhan | KAZ |
| 33 | METHLOUTHI Chedli | TUN |



Feuille de compétition / Competition Sheet

34th FS Wrestling tournament ((Takhti Cup))



STYLE : FS 61 kg

| QUALIFICATION | | 1/8 FINALE | 1/4 FINALE | 1/2 FINALE | FINALE |
|---------------|-------------------------------|-------------|-------------|-------------|-----------|
| 1 | KARIMIZAD Hemmat (IRI) | 1 0 5 IRI | 2 1 3 KAZ | 4 3 8 UKR | 4 0 5 UKR |
| 2 | TURGAN Nurlan (KAZ) | 2 5 6 KAZ | 6 3 10 JPN | 6 1 3 JPN | |
| 3 | RI JONG Myong (PRK) | 3 1 1 PRK | 7 4 5 KAZ | 7 1 6 KAZ | |
| 4 | FEDRRYSHIN VasyI (UKR) | 4 3 4 UKR | 8 1 4 HUN | 12 4 10 KAZ | |
| 5 | TOLEUKENOV Damir (KAZ) | 5 1 7 KAZ | 12 3 14 KAZ | 12 3 10 KAZ | |
| 6 | TAKATSUKA Noriyuki (JPN) | 6 3 8 JPN | 14 3 2 KGZ | 14 0 0 KGZ | |
| 7 | ASHIROV Meirzhan (KAZ) | 7 4 5 KAZ | 16 1 1 PRK | 16 3 10 KAZ | |
| 8 | MOLNAR Jozsef (HUN) | 8 1 4 HUN | 17 0 0 IRI | 20 1 9 IRI | |
| 9 | FRANGULYAN Valodya (ARM) | 9 1 6 ARM | 20 4 2 IRI | 20 1 9 IRI | |
| 10 | SEKSENBAYEV Ruslan (KAZ) | 10 0 0 KAZ | 21 4 5 MGL | 21 0 0 MGL | |
| 11 | AVCI ?small (TUR) | 11 0 0 TUR | 23 1 3 JPN | | |
| 12 | NIYAZBEKOV Daulet (KAZ) | 12 5 4 KAZ | | | |
| 13 | DOGAN Burak (TUR) | 13 0 0 TUR | | | |
| 14 | BAZARGURUEV Bazar (KGZ) | 14 3 4 KGZ | | | |
| 15 | DABBAGHISOURAKI A. (IRI) | 15 1 8 IRI | | | |
| 16 | HWANG RYONG Hak (PRK) | 16 3 10 PRK | | | |
| 17 | MORADGHALIEI H. (IRI) | 17 3 8 IRI | | | |
| 18 | KHINCHEGASHVILI V. (GEO) | 18 1 8 GEO | | | |
| 19 | MAMMADOV Umid (AZE) | 19 1 3 AZE | | | |
| 20 | MOHAMMADIPAHNEHKOLAE S. (IRI) | 20 3 9 IRI | | | |
| 21 | LKHAMGARMAA N. (MGL) | 21 4 12 MGL | | | |
| 22 | BEN ALAYECH H. (TUN) | 22 1 1 TUN | | | |
| 23 | KAWASE Katsuyoshi (JPN) | 23 4 1 JPN | | | |
| 24 | MENDIETA Alberto (NCA) | 24 0 0 NCA | | | |

12 NIYAZBEKOV Daulet (KAZ)

Classement

| Cl | Pays | Nom |
|----|------|-------------------------|
| 1 | KAZ | NIYAZBEKOV Daulet |
| 2 | UKR | FEDRRYSHIN VasyI |
| 3 | JPN | TAKATSUKA Noriyuki |
| 3 | IRI | MOHAMMADIPAHNEHKOLAE S. |
| 5 | PRK | RI JONG Myong |
| 5 | ARM | FRANGULYAN Valodya |
| 7 | MGL | LKHAMGARMAA N. |
| 8 | KAZ | TURGAN Nurlan |
| 9 | KGZ | BAZARGURUEV Bazar |
| 10 | KAZ | ASHIROV Meirzhan |
| 11 | JPN | KAWASE Katsuyoshi |
| 12 | PRK | HWANG RYONG Hak |
| 13 | IRI | MORADGHALIEI Hassan |
| 14 | GEO | KHINCHEGASHVILI V. |
| 15 | IRI | DABBAGHISOURAKI A. |
| 16 | KAZ | TOLEUKENOV Damir |
| 17 | HUN | MOLNAR Jozsef |
| 18 | AZE | MAMMADOV Umid |
| 19 | TUR | AVCI ?small |
| 20 | TUN | BEN ALAYECH Haithem |
| 21 | IRI | KARIMIZAD Hemmat |
| 22 | KAZ | SEKSENBAYEV Ruslan |
| 22 | NCA | MENDIETA Alberto |
| 24 | TUR | DOGAN Burak |

REPECHAGE

REPECHAGE FINALISTE 1

| | | |
|-----------------------------------|-------------------|-------------------|
| 3 3 10 PRK | 3 1 3 PRK | 6 3 5 JPN |
| P1 P2 P3 2 8 0 | P1 P2 P3 2 1 0 | P1 P2 P3 0 5 0 |
| 2 1 4 KAZ | 6 3 5 JPN | |
| P1 P2 P3 2 2 0 | P1 P2 P3 0 5 0 | |
| 6 TAKATSUKA Noriyuki (JPN) | | |

Médaille de Bronze

REPECHAGE FINALISTE 2

| | | | | |
|--------------------------------------|-------------------|-------------------|-------------------|-------------------|
| 11 1 2 TUR | 9 3 6 ARM | 14 1 6 KGZ | 9 1 2 ARM | 20 3 4 IRI |
| P1 P2 P3 2 0 0 | P1 P2 P3 0 6 0 | P1 P2 P3 2 4 0 | P1 P2 P3 2 0 0 | P1 P2 P3 4 0 0 |
| 9 4 5 ARM | 14 1 6 KGZ | | | |
| P1 P2 P3 5 0 0 | P1 P2 P3 2 4 0 | | | |
| MOHAMMADIPAHNEHKOLAE S. (IRI) | | | | |

Médaille de Bronze

**Classement****34th FS Wrestling tournament ((Takhti Cup))**

STYLE : FS 61 kg

**1 - Or / Gold**

NIYAZBEKOV Daulet

2 - Argent / Silver

FEDRRYSHIN Vasyl

3 - Bronze

TAKATSUKA Noriyuki MOHAMMADIPAHNEHKOLAE Seyedahmad

| Classement | Nom - Name | Pays - Country |
|------------|-------------------------|----------------|
| 1 | NIYAZBEKOV Daulet | KAZ |
| 2 | FEDRRYSHIN Vasyl | UKR |
| 3 | TAKATSUKA Noriyuki | JPN |
| 3 | MOHAMMADIPAHNEHKOLAE S. | IRI |
| 5 | RI JONG Myong | PRK |
| 5 | FRANGULYAN Valodya | ARM |
| 7 | LKHAMGARMAA N. | MGL |
| 8 | TURGAN Nurlan | KAZ |
| 9 | BAZARGURUEV Bazar | KGZ |
| 10 | ASHIROV Meirzhan | KAZ |
| 11 | KAWASE Katsuyoshi | JPN |
| 12 | HWANG RYONG Hak | PRK |
| 13 | MORADGHALIEI Hassan | IRI |
| 14 | KHINCHEGASHVILI V. | GEO |
| 15 | DABBAGHISOURAKI A. | IRI |
| 16 | TOLEUKENOV Damir | KAZ |
| 17 | MOLNAR Jozsef | HUN |
| 18 | MAMMADOV Umid | AZE |
| 19 | AVCI ?smail | TUR |
| 20 | BEN ALAYECH Haithem | TUN |
| 21 | KARIMIZAD Hemmat | IRI |
| 22 | SEKSENBAYEV Ruslan | KAZ |
| 22 | MENDIETA Alberto | NCA |
| 24 | DOGAN Burak | TUR |



Feuille de compétition / Competition Sheet

34th FS Wrestling tournament ((Takhti Cup))



STYLE : FS 65 kg

| QUALIFICATION | | 1/8 FINALE | 1/4 FINALE | 1/2 FINALE | FINALE |
|---------------|--------------------------|----------------|-------------------|----------------|-------------------|
| 1 | ÖZTÜRK Ugur (TUR) | 1 1 6 TUR | P1 P2 P3 6 0 0 | | |
| 2 | RADULOV Semen (UKR) | 2 4 16 UKR | P1 P2 P3 7 9 0 | | |
| 3 | NASIRIAFRACHALI E. (IRI) | 3 3 2 IRI | P1 P2 P3 2 0 0 | | |
| 4 | JABALI Aliasghar (IRI) | 4 1 1 IRI | P1 P2 P3 1 0 0 | | |
| 5 | OMURZAKOV Almaz (KGZ) | 5 0 0 KGZ | P1 P2 P3 0 0 0 | | |
| 6 | KHABALASHVILI K. (GEO) | 6 4 1 GEO | P1 P2 P3 1 0 0 | | |
| 7 | ISHDA Tomotsugu (JPN) | 7 0 0 JPN | P1 P2 P3 0 0 0 | | |
| 8 | KOLIVAND Farzad (IRI) | 8 3 2 IRI | P1 P2 P3 2 0 0 | | |
| 9 | TAKATANI Daichi (JPN) | 9 0 0 JPN | P1 P2 P3 0 0 0 | | |
| 10 | NASIRI Meysam (IRI) | 10 4 1 IRI | P1 P2 P3 1 0 0 | | |
| 11 | BATMAGNAI B. (MGL) | 11 1 2 MGL | P1 P2 P3 2 0 0 | | |
| 12 | RASHIDI Hamed (IRI) | 12 4 12 IRI | P1 P2 P3 8 4 0 | | |
| 13 | BUCUR George (ROU) | 13 4 11 ROU | P1 P2 P3 7 4 0 | | |
| 14 | GHANMI Maher (TUN) | 14 0 0 TUN | P1 P2 P3 0 0 0 | | |
| 15 | SANCHIR Batsukh (MGL) | 15 0 0 MGL | P1 P2 P3 0 0 0 | | |
| 16 | ZHUMAGAZYEV D. (KAZ) | 16 4 10 KAZ | P1 P2 P3 8 2 0 | | |
| 17 | AZIMOV Joshan (AZE) | 17 4 10 AZE | P1 P2 P3 6 4 0 | | |
| 18 | KANG JIN Hyok (PRK) | 18 0 0 PRK | P1 P2 P3 0 0 0 | | |
| 19 | BAGHDASARYAN Artur (ARM) | 19 3 12 ARM | P1 P2 P3 7 5 0 | | |
| 20 | BAKEEV Amandyk (KAZ) | 20 1 8 KAZ | P1 P2 P3 2 6 0 | | |
| | | | | 2 1 2 UKR | P1 P2 P3 0 2 0 |
| | | | | 3 1 9 IRI | P1 P2 P3 6 3 0 |
| | | | | 3 3 4 IRI | P1 P2 P3 1 3 0 |
| | | | | 6 4 6 GEO | P1 P2 P3 4 2 0 |
| | | | | 6 3 1 GEO | P1 P2 P3 0 1 0 |
| | | | | 8 1 4 IRI | P1 P2 P3 4 0 0 |
| | | | | 10 3 7 IRI | P1 P2 P3 5 2 0 |
| | | | | 10 4 12 IRI | P1 P2 P3 7 5 0 |
| | | | | 12 1 4 IRI | P1 P2 P3 2 2 0 |
| | | | | 16 3 6 KAZ | P1 P2 P3 2 4 0 |
| | | | | 16 1 1 KAZ | P1 P2 P3 1 0 0 |
| | | | | 17 1 2 AZE | P1 P2 P3 2 0 0 |
| | | | | 6 0 0 GEO | P1 P2 P3 0 0 0 |
| | | | | 10 0 0 IRI | P1 P2 P3 0 0 0 |
| | | | | 10 4 3 IRI | P1 P2 P3 3 0 0 |
| | | | | 10 0 0 IRI | P1 P2 P3 0 0 0 |

10 NASIRI Meysam (IRI)

Classement

| Cl | Pays | Nom |
|----|------|--------------------|
| 1 | IRI | NASIRI Meysam |
| 2 | GEO | KHABALASHVILI K. |
| 3 | IRI | KOLIVAND Farzad |
| 3 | KAZ | ZHUMAGAZYEV Dauren |
| 5 | IRI | NASIRIAFRACHALI E. |
| 5 | JPN | TAKATANI Daichi |
| 7 | AZE | AZIMOV Joshan |
| 8 | IRI | RASHIDI Hamed |
| 9 | UKR | RADULOV Semen |
| 10 | ROU | BUCUR George |
| 11 | ARM | BAGHDASARYAN Artur |
| 12 | KAZ | BAKEEV Amandyk |
| 13 | TUR | ÖZTÜRK Ugur |
| 14 | MGL | BATMAGNAI B. |
| 15 | IRI | JABALI Aliasghar |
| 16 | JPN | ISHDA Tomotsugu |
| 16 | KGZ | OMURZAKOV Almaz |
| 18 | MGL | SANCHIR Batsukh |
| 18 | PRK | KANG JIN Hyok |
| 20 | TUN | GHANMI Maher |

| REPECHAGE | |
|--------------------------------|-------------------|
| REPECHAGE FINALISTE 1 | |
| 5 0 0 KGZ | P1 P2 P3 0 0 0 |
| 8 4 1 IRI | P1 P2 P3 1 0 0 |
| 8 5 6 IRI | P1 P2 P3 2 4 0 |
| 3 0 1 IRI | P1 P2 P3 1 0 0 |
| 8 KOLIVAND Farzad (IRI) | |
| Médaille de Bronze | |
| REPECHAGE FINALISTE 2 | |
| 9 3 10 JPN | P1 P2 P3 4 6 0 |
| 12 1 6 IRI | P1 P2 P3 2 4 0 |
| 9 1 2 JPN | P1 P2 P3 2 0 0 |
| 16 3 4 KAZ | P1 P2 P3 2 2 0 |
| 16 ZHUMAGAZYEV D. (KAZ) | |
| Médaille de Bronze | |



Classement

34th FS Wrestling tournament ((Takhti Cup))

STYLE : FS 65 kg



1 - Or / Gold



NASIRI Meysam

2 - Argent / Silver



KHABALASHVILI Konstantine

3 - Bronze



KOLIVAND Farzad



ZHUMAGAZYEV Dauren

| Classement | Nom - Name | Pays - Country |
|------------|--------------------|----------------|
| 1 | NASIRI Meysam | IRI |
| 2 | KHABALASHVILI K. | GEO |
| 3 | KOLIVAND Farzad | IRI |
| 3 | ZHUMAGAZYEV Dauren | KAZ |
| 5 | TAKATANI Daichi | JPN |
| 5 | NASIRIAFRACHALI E. | IRI |
| 7 | AZIMOV Joshan | AZE |
| 8 | RASHIDI Hamed | IRI |
| 9 | RADULOV Semen | UKR |
| 10 | BUCUR George | ROU |
| 11 | BAGHDASARYAN Artur | ARM |
| 12 | BAKEEV Amandyk | KAZ |
| 13 | ÖZTÜRK Ugur | TUR |
| 14 | BATMAGNAI B. | MGL |
| 15 | JABALI Aliasghar | IRI |
| 16 | ISHDA Tomotsugu | JPN |
| 16 | OMURZAKOV Almaz | KGZ |
| 18 | SANCHIR Batsukh | MGL |
| 18 | KANG JIN Hyok | PRK |
| 20 | GHANMI Maher | TUN |



Feuille de compétition / Competition Sheet

34th FS Wrestling tournament ((Takhti Cup))



STYLE : FS 70 kg

| QUALIFICATION | | | | 1/8 FINALE | | | | 1/4 FINALE | | | | 1/2 FINALE | | | | FINALE | | | | | | | | | |
|---------------|---|-------------------------------|----|------------|----|--|--|------------|---|-----|----|------------|----|--|--|--------|--|--|--|--|--|--|--|--|--|
| 1 | | BOZKURT Emgin (TUR) | | | | | | 1 | 0 | TUR | P1 | P2 | P3 | | | | | | | | | | | | |
| | | | | | | | | | | | | | | | | | | | | | | | | | |
| 2 | | SAKAYEV Bolat (KAZ) | | | | | | 2 | 5 | KAZ | P1 | P2 | P3 | | | | | | | | | | | | |
| | | | | | | | | | | | | | | | | | | | | | | | | | |
| 3 | | YANG CHUN Song (PRK) | | | | | | 3 | 5 | PRK | P1 | P2 | P3 | | | | | | | | | | | | |
| | | | | | | | | | | | | | | | | | | | | | | | | | |
| 4 | | LUKACS Norbert (HUN) | | | | | | 4 | 0 | HUN | P1 | P2 | P3 | | | | | | | | | | | | |
| | | | | | | | | | | | | | | | | | | | | | | | | | |
| 5 | | YEGANEHJAFARI M. (IRI) | | | | | | 5 | 0 | IRI | P1 | P2 | P3 | | | | | | | | | | | | |
| | | | | | | | | | | | | | | | | | | | | | | | | | |
| 6 | | HOSSEINKHANI M. (IRI) | | | | | | 6 | 3 | IRI | P1 | P2 | P3 | | | | | | | | | | | | |
| | | | | | | | | | | | | | | | | | | | | | | | | | |
| 7 | | KANG KYONG Hyok (PRK) | | | | | | 7 | 1 | PRK | P1 | P2 | P3 | | | | | | | | | | | | |
| | | | | | | | | | | | | | | | | | | | | | | | | | |
| 8 | | GOODARZISORKHI M. (IRI) | | | | | | 8 | 3 | IRI | P1 | P2 | P3 | | | | | | | | | | | | |
| | | | | | | | | | | | | | | | | | | | | | | | | | |
| 9 | | OMURZHANOV Azamat (KAZ) | | | | | | 9 | 3 | KAZ | P1 | P2 | P3 | | | | | | | | | | | | |
| | | | | | | | | | | | | | | | | | | | | | | | | | |
| 10 | | GULYAS Zsombor (HUN) | | | | | | 10 | 0 | HUN | P1 | P2 | P3 | | | | | | | | | | | | |
| | | | | | | | | | | | | | | | | | | | | | | | | | |
| 11 | | POGHOSYAN Ishkhan (ARM) | | | | | | 11 | 1 | ARM | P1 | P2 | P3 | | | | | | | | | | | | |
| | | | | | | | | | | | | | | | | | | | | | | | | | |
| 12 | | YARAHMADI Peyman (IRI) | | | | | | 12 | 4 | IRI | P1 | P2 | P3 | | | | | | | | | | | | |
| | | | | | | | | | | | | | | | | | | | | | | | | | |
| 13 | | MOHAMMADZADEHARAB S. (IRI) | | | | | | 13 | 0 | IRI | P1 | P2 | P3 | | | | | | | | | | | | |
| | | | | | | | | | | | | | | | | | | | | | | | | | |
| 14 | | NAGORNYI Andrii (UKR) | | | | | | 14 | 5 | UKR | P1 | P2 | P3 | | | | | | | | | | | | |
| | | | | | | | | | | | | | | | | | | | | | | | | | |
| 15 | | DADASHPOURKARIKALAEI S. (IRI) | | | | | | 15 | 3 | IRI | P1 | P2 | P3 | | | | | | | | | | | | |
| | | | | | | | | | | | | | | | | | | | | | | | | | |
| 16 | 0 | BASILASHVILI D. (GEO) | P1 | P2 | P3 | | | 16 | 1 | KAZ | P1 | P2 | P3 | | | | | | | | | | | | |
| | 8 | | 4 | 4 | 0 | | | | | | | | | | | | | | | | | | | | |
| 17 | 5 | AZIZOV Aslan (KAZ) | P1 | P2 | P3 | | | 17 | 1 | KAZ | P1 | P2 | P3 | | | | | | | | | | | | |
| | 3 | | 0 | 3 | 0 | | | | | | | | | | | | | | | | | | | | |

6 HOSSEINKHANI M. (IRI)

Classement

| Cl | Pays | Nom |
|----|------|-------------------------|
| 1 | IRI | HOSSEINKHANI M. |
| 2 | IRI | YARAHMADI Peyman |
| 3 | IRI | YEGANEHJAFARI M. |
| 3 | IRI | DADASHPOURKARIKALAEI S. |
| 5 | KAZ | SAKAYEV Bolat |
| 5 | KAZ | OMURZHANOV Azamat |
| 7 | PRK | YANG CHUN Song |
| 8 | KAZ | AZIZOV Aslan |
| 9 | UKR | NAGORNYI Andrii |
| 10 | IRI | GOODARZISORKHI M. |
| 11 | PRK | KANG KYONG Hyok |
| 12 | ARM | POGHOSYAN Ishkhan |
| 13 | GEO | BASILASHVILI D. |
| 14 | IRI | MOHAMMADZADEHARAB S. |
| 15 | HUN | GULYAS Zsombor |
| 16 | HUN | LUKACS Norbert |
| 17 | TUR | BOZKURT Emgin |

REPECHAGE

REPECHAGE FINALISTE 1

| | | | | | | | | | | | | | | | |
|---|---|-----|----|----|----|--|--|---|----|-----|----|----|----|--|--|
| 5 | 3 | IRI | P1 | P2 | P3 | | | 5 | 3 | IRI | P1 | P2 | P3 | | |
| | 4 | | 4 | 0 | 0 | | | | 10 | | 6 | 4 | 0 | | |
| 8 | 1 | IRI | P1 | P2 | P3 | | | 2 | 1 | KAZ | P1 | P2 | P3 | | |
| | 2 | | 0 | 2 | 0 | | | | 2 | | 0 | 2 | 0 | | |

5 YEGANEHJAFARI M. (IRI)

Médaille de Bronze

REPECHAGE FINALISTE 2

| | | | | | | | | | | | | | | | |
|----|---|-----|----|----|----|--|--|----|---|-----|----|----|----|--|--|
| 11 | 0 | ARM | P1 | P2 | P3 | | | 9 | 1 | KAZ | P1 | P2 | P3 | | |
| | 0 | | 0 | 0 | 0 | | | | 1 | | 0 | 1 | 0 | | |
| 9 | 4 | KAZ | P1 | P2 | P3 | | | 15 | 3 | IRI | P1 | P2 | P3 | | |
| | 1 | | 1 | 0 | 0 | | | | 8 | | 1 | 7 | 0 | | |

DADASHPOURKARIKALAEI S. (IRI)

Médaille de Bronze

**Classement****34th FS Wrestling tournament ((Takhti Cup))**

STYLE : FS 70 kg

1 - Or / Gold**HOSSEINKHANI Mostafa****2 - Argent / Silver****YARAHMADI Peyman****3 - Bronze****YEGANEHJAFARI Mohammad DADASHPOURKARIKALAEI Saeid**

| Classement | Nom - Name | Pays - Country |
|-------------------|-------------------------|-----------------------|
| 1 | HOSSEINKHANI M. | IRI |
| 2 | YARAHMADI Peyman | IRI |
| 3 | YEGANEHJAFARI M. | IRI |
| 3 | DADASHPOURKARIKALAEI S. | IRI |
| 5 | SAKAYEV Bolat | KAZ |
| 5 | OMURZHANOV Azamat | KAZ |
| 7 | YANG CHUN Song | PRK |
| 8 | AZIZOV Aslan | KAZ |
| 9 | NAGORNYI Andrii | UKR |
| 10 | GOODARZISORKHI M. | IRI |
| 11 | KANG KYONG Hyok | PRK |
| 12 | POGHOSYAN Ishkhan | ARM |
| 13 | BASILASHVILI D. | GEO |
| 14 | MOHAMMADZADEHARAB S. | IRI |
| 15 | GULYAS Zsombor | HUN |
| 16 | LUKACS Norbert | HUN |
| 17 | BOZKURT Emgin | TUR |



Feuille de compétition / Competition Sheet

34th FS Wrestling tournament ((Takhti Cup))



STYLE : FS 74 kg

| QUALIFICATION | | 1/8 FINALE | 1/4 FINALE | 1/2 FINALE | FINALE |
|---------------|----------------------------|--------------|--------------|--------------|-------------|
| 1 | MAKARASHVILI Jakob (GEO) | 1 1 2 2 | 1 1 2 0 | 2 3 7 4 | 2 3 3 1 |
| 2 | MOHAMMADIAN Iman (IRI) | 2 3 5 5 | 2 3 5 2 | 2 3 3 2 | 2 0 0 0 |
| 3 | KOJOYAN Varuzhan (ARM) | 3 1 7 7 | 3 1 7 0 | 4 1 2 2 | 2 0 0 0 |
| 4 | BARAMIDZE Tsotne (KAZ) | 4 3 9 9 | 4 3 9 5 | 6 3 6 1 | 11 3 6 2 |
| 5 | CHYKHLADZE Giya (UKR) | 5 1 2 2 | 5 1 2 1 | 11 3 10 6 | 11 3 6 6 |
| 6 | REZAEIKALVANI H. (IRI) | 6 3 2 2 | 6 3 2 0 | 11 3 6 2 | 11 3 6 6 |
| 7 | MOHSEN Ahmed (IRQ) | 7 1 4 4 | 7 1 4 0 | 11 3 10 6 | 11 3 6 6 |
| 8 | ANKHBAYAR B. (MGL) | 8 4 5 5 | 8 4 5 0 | 11 3 10 6 | 11 3 6 6 |
| 9 | SONG CHOL Min (PRK) | 9 0 0 0 | 9 0 0 0 | 11 3 10 6 | 11 3 6 6 |
| 10 | SHOPOKOV Iskhakbek (KGZ) | 10 0 0 0 | 10 0 0 0 | 11 3 10 6 | 11 3 6 6 |
| 11 | AFZALIPAEMAMI Reza (IRI) | 11 4 2 2 | 11 4 2 3 | 11 3 6 2 | 11 3 6 6 |
| 12 | AYACHI Borrhane (TUN) | 12 0 0 0 | 12 0 0 0 | 11 3 10 6 | 11 3 6 6 |
| 13 | GHIASICHEKA M. (IRI) | 13 4 2 2 | 13 4 2 2 | 11 3 10 6 | 11 3 6 6 |
| 14 | GOMBODORJ D. (MGL) | 14 1 2 2 | 14 1 2 0 | 11 3 10 6 | 11 3 6 6 |
| 15 | TANATAROV Akzhurek (KAZ) | 15 3 6 4 | 15 3 4 2 | 11 3 10 6 | 11 3 6 6 |
| 16 | ZAKIROV Zhiger (KAZ) | 16 3 5 4 | 16 3 4 1 | 11 3 10 6 | 11 3 6 6 |
| 17 | IZBASSAROV B. (KAZ) | 17 0 0 0 | 17 0 0 0 | 11 3 10 6 | 11 3 6 6 |
| 18 | ISRAFILLI B. (AZE) | 18 1 10 6 | 18 1 10 4 | 11 3 10 6 | 11 3 6 6 |
| 19 | INNOKENTIEV I. (KGZ) | 19 3 11 9 | 19 3 11 2 | 11 3 10 6 | 11 3 6 6 |
| 20 | TAKATANI Sohsume (JPN) | 20 1 5 4 | 20 1 5 1 | 11 3 10 6 | 11 3 6 6 |
| 21 | AKBARIZARINKOLAEI E. (IRI) | 21 3 5 0 | 21 3 5 0 | 11 3 10 6 | 11 3 6 6 |
| 22 | ÖZTÜRK Ali (TUR) | 22 1 2 0 | 22 1 2 0 | 11 3 10 6 | 11 3 6 6 |
| 23 | REZAEIGHALEH M. (IRI) | 23 4 4 3 | 23 4 4 1 | 11 3 10 6 | 11 3 6 6 |

11 AFZALIPAEMAMI Reza (IRI)

Classement

| Cl | Pays | Nom |
|----|------|----------------------|
| 1 | IRI | AFZALIPAEMAMI Reza |
| 2 | IRI | MOHAMMADIAN Iman |
| 3 | IRI | REZAEIKALVANI Hamed |
| 3 | IRI | AKBARIZARINKOLAEI E. |
| 5 | KAZ | BARAMIDZE Tsotne |
| 5 | KGZ | SHOPOKOV Iskhakbek |
| 7 | KAZ | TANATAROV Akzhurek |
| 8 | KAZ | ZAKIROV Zhiger |
| 9 | IRI | REZAEIGHALEH M. |
| 10 | MGL | ANKHBAYAR B. |
| 11 | IRI | GHIASICHEKA Mostafa |
| 12 | KGZ | INNOKENTIEV I. |
| 13 | GEO | MAKARASHVILI Jakob |
| 14 | AZE | ISRAFILLI Bakhtiyar |
| 15 | ARM | KOJOYAN Varuzhan |
| 16 | JPN | TAKATANI Sohsume |
| 17 | IRQ | MOHSEN Ahmed |
| 18 | UKR | CHYKHLADZE Giya |
| 19 | TUR | ÖZTÜRK Ali |
| 20 | MGL | GOMBODORJ D. |
| 21 | PRK | SONG CHOL Min |
| 22 | TUN | AYACHI Borrhane |
| 23 | KAZ | IZBASSAROV B. |

REPECHAGE

REPECHAGE FINALISTE 1

| | | | | | | | | | |
|---------------------------------|---|-----|----------|-------|---|---|-----|----------|-------|
| 1 | 1 | GEO | P1 P2 P3 | 0 2 0 | 4 | 0 | KAZ | P1 P2 P3 | 0 0 0 |
| 4 | 3 | KAZ | P1 P2 P3 | 6 0 0 | 6 | 3 | IRI | P1 P2 P3 | 1 0 0 |
| 6 REZAEIKALVANI H. (IRI) | | | | | | | | | |

Médaille de Bronze

REPECHAGE FINALISTE 2

| | | | | | | | | | |
|--------------------------------------|---|-----|----------|-------|----|---|-----|----------|-------|
| 10 | 5 | KGZ | P1 P2 P3 | 2 5 0 | 10 | 5 | KGZ | P1 P2 P3 | 0 0 0 |
| 9 | 0 | PRK | P1 P2 P3 | 6 8 0 | 15 | 0 | KAZ | P1 P2 P3 | 0 0 0 |
| 21 AKBARIZARINKOLAEI E. (IRI) | | | | | | | | | |

Médaille de Bronze

**Classement****34th FS Wrestling tournament ((Takhti Cup))**

STYLE : FS 74 kg

1 - Or / Gold

AFZALIPAEMAMI Reza

2 - Argent / Silver

MOHAMMADIAN Iman

3 - Bronze

REZAEIKALVANI Hamed AKBARIZARINKOLAEI Ezzatollah

| Classement | Nom - Name | Pays - Country |
|------------|----------------------|----------------|
| 1 | AFZALIPAEMAMI Reza | IRI |
| 2 | MOHAMMADIAN Iman | IRI |
| 3 | REZAEIKALVANI Hamed | IRI |
| 3 | AKBARIZARINKOLAEI E. | IRI |
| 5 | SHOPOKOV Iskhakbek | KGZ |
| 5 | BARAMIDZE Tsotne | KAZ |
| 7 | TANATAROV Akzhurek | KAZ |
| 8 | ZAKIROV Zhiger | KAZ |
| 9 | REZAEIGHALEH M. | IRI |
| 10 | ANKHBAYAR B. | MGL |
| 11 | GHIASICHEKA Mostafa | IRI |
| 12 | INNOKENTIEV I. | KGZ |
| 13 | MAKARASHVILI Jakob | GEO |
| 14 | ISRAFILLI Bakhtiyar | AZE |
| 15 | KOJOYAN Varuzhan | ARM |
| 16 | TAKATANI Sohsume | JPN |
| 17 | MOHSEN Ahmed | IRQ |
| 18 | CHYKHLADZE Giya | UKR |
| 19 | ÖZTÜRK Ali | TUR |
| 20 | GOMBODORJ D. | MGL |
| 21 | SONG CHOL Min | PRK |
| 22 | AYACHI Borrhane | TUN |
| 23 | IZBASSAROV B. | KAZ |



Feuille de compétition / Competition Sheet

34th FS Wrestling tournament ((Takhti Cup))



STYLE : FS 86 kg

| QUALIFICATION | | 1/8 FINALE | | 1/4 FINALE | | 1/2 FINALE | | FINALE | |
|---------------|-------------------------------|------------|--|------------|----|------------|----------|--------|--|
| 1 | ÖZASLAN Samed (TUR) | | | 1 | 0 | TUR | P1 P2 P3 | | |
| | | | | | 0 | | 0 0 0 | | |
| 2 | KAKHIDZE Aslan (KAZ) | | | 2 | 5 | KAZ | P1 P2 P3 | | |
| | | | | | 4 | | 4 0 0 | | |
| 3 | DEM?RTAS Cener (TUR) | | | 3 | 0 | TUR | P1 P2 P3 | | |
| | | | | | 0 | | 0 0 0 | | |
| 4 | NEJAEYANAHMADIAN E. (IRI) | | | 4 | 4 | IRI | P1 P2 P3 | | |
| | | | | | 2 | | 1 1 0 | | |
| 5 | AMINASHVILI Sandro (GEO) | | | 5 | 3 | GEO | P1 P2 P3 | | |
| | | | | | 4 | | 0 4 0 | | |
| 6 | LIGSTI Richard (HUN) | | | 6 | 1 | HUN | P1 P2 P3 | | |
| | | | | | 3 | | 1 2 0 | | |
| 7 | ZAMAN Jalal (IRI) | | | 7 | 3 | IRI | P1 P2 P3 | | |
| | | | | | 1 | | 1 0 0 | | |
| 8 | ABARASHEV Yeraly (KAZ) | | | 8 | 0 | KAZ | P1 P2 P3 | | |
| | | | | | 0 | | 0 0 0 | | |
| 9 | 3/10 TSOTADZE Dzhambuli (UKR) | P1 P2 P3 | | 9 | 0 | UKR | P1 P2 P3 | | |
| | | 5 5 0 | | | 0 | | 0 0 0 | | |
| 10 | 1/4 VEREB Istvan (HUN) | P1 P2 P3 | | 11 | 3 | IRI | P1 P2 P3 | | |
| | | 3 1 0 | | | 3 | | 1 2 0 | | |
| 11 | 4/14 MOSTAFAJOUKAR M. (IRI) | P1 P2 P3 | | 11 | 3 | IRI | P1 P2 P3 | | |
| | | 8 6 0 | | | 5 | | 3 2 0 | | |
| 12 | 1/3 MOHAMMADIN M. (IRI) | P1 P2 P3 | | 14 | 3 | IRI | P1 P2 P3 | | |
| | | 2 1 0 | | | 4 | | 4 0 0 | | |
| 13 | 0/0 RHIMI Adnan (TUN) | P1 P2 P3 | | 14 | 0 | IRI | P1 P2 P3 | | |
| | | 0 0 0 | | | 0 | | 0 0 0 | | |
| 14 | 4/11 EBRAHIMIZIVLAEI M. (IRI) | P1 P2 P3 | | 15 | 1 | RUS | P1 P2 P3 | | |
| | | 3 8 0 | | | 3 | | 1 2 0 | | |
| 15 | 4/1 GAMIDGADZHIEV A. (RUS) | P1 P2 P3 | | 17 | 1 | KAZ | P1 P2 P3 | | |
| | | 1 0 0 | | | 2 | | 0 2 0 | | |
| 16 | 0/0 SULTANALIEV B. (KGZ) | P1 P2 P3 | | 19 | 4 | IRI | P1 P2 P3 | | |
| | | 0 0 0 | | | 13 | | 4 9 0 | | |
| 17 | 4/1 AZIZOV Islam (KAZ) | P1 P2 P3 | | 19 | 1 | IRI | P1 P2 P3 | | |
| | | 1 0 0 | | | 2 | | 0 2 0 | | |
| 18 | 0/0 HATOS Gabor (HUN) | P1 P2 P3 | | 21 | 3 | AZE | P1 P2 P3 | | |
| | | 0 0 0 | | | 5 | | 4 1 0 | | |
| 19 | 4/10 KARIMIMACHIANI A. (IRI) | P1 P2 P3 | | 21 | 1 | AZE | P1 P2 P3 | | |
| | | 6 4 0 | | | 3 | | 0 3 0 | | |
| 20 | 0/0 TAMRAZYAN Vahe (ARM) | P1 P2 P3 | | 23 | 1 | KAZ | P1 P2 P3 | | |
| | | 0 0 0 | | | 5 | | 2 3 0 | | |
| 21 | 3/5 ABDULKHALIKOV M. (AZE) | P1 P2 P3 | | | | | | | |
| | | 1 4 0 | | | | | | | |
| 22 | 0/0 BAZAROV Bator (KGZ) | P1 P2 P3 | | | | | | | |
| | | 0 0 0 | | | | | | | |
| 23 | 4/1 NURZHUMBAYEV Y. (KAZ) | P1 P2 P3 | | | | | | | |
| | | 1 0 0 | | | | | | | |
| 24 | 0/0 TRUJILLO Felix (NCA) | P1 P2 P3 | | | | | | | |
| | | 0 0 0 | | | | | | | |

11 MOSTAFAJOUKAR M. (IRI)

Classement

| Cl | Pays | Nom |
|----|------|---------------------|
| 1 | IRI | MOSTAFAJOUKAR M. |
| 2 | IRI | ZAMAN Jalal |
| 3 | IRI | NEJAEYANAHMADIAN E. |
| 3 | IRI | EBRAHIMIZIVLAEI M. |
| 5 | KAZ | ABARASHEV Yeraly |
| 5 | IRI | KARIMIMACHIANI A. |
| 7 | IRI | MOHAMMADIN M. |
| 8 | AZE | ABDULKHALIKOV M. |
| 9 | KAZ | KAKHIDZE Aslan |
| 10 | KAZ | NURZHUMBAYEV Y. |
| 11 | RUS | GAMIDGADZHIEV A. |
| 12 | KAZ | AZIZOV Islam |
| 13 | GEO | AMINASHVILI Sandro |
| 14 | UKR | TSOTADZE Dzhambuli |
| 15 | HUN | VEREB Istvan |
| 16 | HUN | LIGSTI Richard |
| 17 | KGZ | SULTANALIEV B. |
| 17 | HUN | HATOS Gabor |
| 17 | NCA | TRUJILLO Felix |
| 20 | TUR | DEM?RTAS Cener |
| 21 | TUR | ÖZASLAN Samed |
| 22 | KGZ | BAZAROV Bator |
| 23 | ARM | TAMRAZYAN Vahe |
| 24 | TUN | RHIMI Adnan |

REPECHAGE

REPECHAGE FINALISTE 1

| | | | | | |
|---|------|-----|----------|--|--|
| 8 | 3/10 | KAZ | P1 P2 P3 | | |
| | | | 8 2 0 | | |
| 5 | 1/6 | GEO | P1 P2 P3 | | |
| | | | 4 2 0 | | |
| 8 | 1/4 | KAZ | P1 P2 P3 | | |
| | | | 2 2 0 | | |
| 4 | 3/6 | IRI | P1 P2 P3 | | |
| | | | 3 3 0 | | |

4 NEJAEYANAHMADIAN E. (IRI)

Médaille de Bronze

REPECHAGE FINALISTE 2

| | | | | | |
|----|-----|-----|----------|--|--|
| 12 | 5/8 | IRI | P1 P2 P3 | | |
| | | | 6 2 0 | | |
| 9 | 0/1 | UKR | P1 P2 P3 | | |
| | | | 1 0 0 | | |
| 12 | 1/3 | IRI | P1 P2 P3 | | |
| | | | 1 2 0 | | |
| 14 | 3/6 | IRI | P1 P2 P3 | | |
| | | | 2 4 0 | | |
| 14 | 3/8 | IRI | P1 P2 P3 | | |
| | | | 0 8 0 | | |
| 19 | 1/2 | IRI | P1 P2 P3 | | |
| | | | 2 0 0 | | |

14 EBRAHIMIZIVLAEI M. (IRI)

Médaille de Bronze



Classement

34th FS Wrestling tournament ((Takhti Cup))

STYLE : FS 86 kg



1 - Or / Gold



MOSTAJOUKAR Meisam

2 - Argent / Silver



ZAMAN Jalal

3 - Bronze



NEJAEYANAHMADIAN Esmail EBRAHIMIZIVLADI Mohammadjavad

| Classement | Nom - Name | Pays - Country |
|------------|---------------------|----------------|
| 1 | MOSTAJOUKAR M. | IRI |
| 2 | ZAMAN Jalal | IRI |
| 3 | NEJAEYANAHMADIAN E. | IRI |
| 3 | EBRAHIMIZIVLADI M. | IRI |
| 5 | ABARASHEV Yeraly | KAZ |
| 5 | KARIMIMACHIANI A. | IRI |
| 7 | MOHAMMADIN M. | IRI |
| 8 | ABDULKHALIKOV M. | AZE |
| 9 | KAKHIDZE Aslan | KAZ |
| 10 | NURZHUMBAYEV Y. | KAZ |
| 11 | GAMIDGADZHIEV A. | RUS |
| 12 | AZIZOV Islam | KAZ |
| 13 | AMINASHVILI Sandro | GEO |
| 14 | TSOTADZE Dzhambuli | UKR |
| 15 | VEREB Istvan | HUN |
| 16 | LIGSTI Richard | HUN |
| 17 | TRUJILLO Felix | NCA |
| 17 | HATOS Gabor | HUN |
| 17 | SULTANALIEV B. | KGZ |
| 20 | DEM?RTAS Cener | TUR |
| 21 | ÖZASLAN Samed | TUR |
| 22 | BAZAROV Bator | KGZ |
| 23 | TAMRAZYAN Vahe | ARM |
| 24 | RHIMI Adnan | TUN |



Feuille de compétition / Competition Sheet

34th FS Wrestling tournament ((Takhti Cup))



STYLE : FS 97 kg

| QUALIFICATION | | 1/8 FINALE | 1/4 FINALE | 1/2 FINALE | FINALE |
|---------------|----------------------------|--------------------------------------|------------------------------|--------------------------------------|---------------|
| 1 | KURTANIDZE LUKA - E. (GEO) | 1 1 10 GEO | 2 0 0 TUR | 4 1 4 UKR | 5 0 0 IRI |
| 2 | BONCUOGLU Ali (TUR) | 2 3 3 TUR | 4 4 10 UKR | 5 3 4 IRI | 16 3 3 IRI |
| 3 | JUMAYEV Alikhan (KAZ) | 3 0 0 KAZ | 7 1 4 AZE | 10 0 0 GEO | |
| 4 | OLIINYK Pavlo (UKR) | 4 3 5 UKR | 7 3 15 AZE | 10 5 3 GEO | |
| 5 | TAHAN Abbas (IRI) | 5 3 6 IRI | 8 1 14 IRI | 12 0 0 TUR | |
| 6 | YAMAGUCHI Takeshi (JPN) | 6 1 5 JPN | 8 1 14 IRI | 12 3 4 TUR | |
| 7 | BAKIROV Roman (AZE) | 7 3 15 AZE | 11 1 1 IRQ | 13 1 4 IRI | |
| 8 | MOHAMMADI Amir (IRI) | 8 1 14 IRI | 11 1 1 IRQ | 13 3 6 IRI | |
| 9 | CARAS Ulad (ROU) | 9 1 5 ROU | 12 0 0 TUR | 16 4 10 IRI | |
| 10 | KERASHVILI Dato (GEO) | 10 3 14 GEO | 12 3 4 TUR | 16 3 2 IRI | |
| 11 | SALAH Ahmed (IRQ) | 11 1 1 IRQ | 13 1 4 IRI | 16 0 0 IRI | |
| 12 | DOULU Emrullh (TUR) | 12 3 4 TUR | 14 0 0 HUN | 16 4 5 IRI | |
| 13 | JAMSHIDI Pedram (IRI) | 13 3 6 IRI | 14 0 0 HUN | 16 0 0 IRI | |
| 14 | SZMIK Attila (HUN) | 14 0 0 HUN | 15 0 0 AMIRI Saeid (IRI) | 16 3 2 TALEBIZARRINKAMAR H. (IRI) | |
| 15 | AMIRI Saeid (IRI) | 15 0 0 AMIRI Saeid (IRI) | 16 3 2 IRI | 17 0 0 RHIMI Rochdi (TUN) | |
| 16 | TALEBIZARRINKAMAR H. (IRI) | 16 4 2 TALEBIZARRINKAMAR H. (IRI) | 17 0 0 RHIMI Rochdi (TUN) | 18 5 4 MUSAEV Magomed (KGZ) | |
| 17 | RHIMI Rochdi (TUN) | 17 0 0 RHIMI Rochdi (TUN) | 18 0 0 KGZ | | |
| 18 | MUSAEV Magomed (KGZ) | 18 5 4 MUSAEV Magomed (KGZ) | | | |

16 ALEBIZARRINKAMAR H. (IRI)

Classement

| Cl | Pays | Nom |
|----|------|----------------------|
| 1 | IRI | TALEBIZARRINKAMAR H. |
| 2 | IRI | TAHAN Abbas |
| 3 | UKR | OLIINYK Pavlo |
| 3 | GEO | KERASHVILI Dato |
| 5 | AZE | BAKIROV Roman |
| 5 | KGZ | MUSAEV Magomed |
| 7 | IRI | JAMSHIDI Pedram |
| 8 | TUR | DOULU Emrullh |
| 9 | TUR | BONCUOGLU Ali |
| 10 | IRI | MOHAMMADI Amir |
| 11 | JPN | YAMAGUCHI Takeshi |
| 12 | GEO | KURTANIDZE LUKA - E. |
| 13 | ROU | CARAS Ulad |
| 14 | IRI | AMIRI Saeid |
| 15 | IRQ | SALAH Ahmed |
| 16 | TUN | RHIMI Rochdi |
| 17 | KAZ | JUMAYEV Alikhan |
| 18 | HUN | SZMIK Attila |

REPECHAGE

REPECHAGE FINALISTE 1

| | | |
|------------------------------|--------------|--------------|
| 6 0 6 JPN | 7 1 2 AZE | 4 4 3 UKR |
| 7 5 7 AZE | 4 4 3 UKR | |
| 4 OLIINYK Pavlo (UKR) | | |

Médaille de Bronze

REPECHAGE FINALISTE 2

| | | | |
|---------------------------------|----------------|---------------|---------------|
| 15 1 3 IRI | 18 3 10 KGZ | 13 1 8 IRI | 10 3 2 GEO |
| 18 3 7 KGZ | 13 1 8 IRI | 10 3 2 GEO | |
| 10 KERASHVILI Dato (GEO) | | | |

Médaille de Bronze



Classement

34th FS Wrestling tournament ((Takhti Cup))



STYLE : FS 97 kg

1 - Or / Gold



TALEBIZARRINKAMAR Hamed

2 - Argent / Silver



TAHAN Abbas

3 - Bronze



OLIINYK Pavlo



KERASHVILI Dato

| Classement | Nom - Name | Pays - Country |
|------------|----------------------|----------------|
| 1 | TALEBIZARRINKAMAR H. | IRI |
| 2 | TAHAN Abbas | IRI |
| 3 | OLIINYK Pavlo | UKR |
| 3 | KERASHVILI Dato | GEO |
| 5 | BAKIROV Roman | AZE |
| 5 | MUSAEV Magomed | KGZ |
| 7 | JAMSHIDI Pedram | IRI |
| 8 | DOULU Emrullh | TUR |
| 9 | BONCUOGLU Ali | TUR |
| 10 | MOHAMMADI Amir | IRI |
| 11 | YAMAGUCHI Takeshi | JPN |
| 12 | KURTANIDZE LUKA - E. | GEO |
| 13 | CARAS Ulad | ROU |
| 14 | AMIRI Saeid | IRI |
| 15 | SALAH Ahmed | IRQ |
| 16 | RHIMI Rochdi | TUN |
| 17 | JUMAYEV Alikhan | KAZ |
| 18 | SZMIK Attila | HUN |



Feuille de compétition / Competition Sheet

34th FS Wrestling tournament ((Takhti Cup))



STYLE : FS 125 kg

| QUALIFICATION | | 1/8 FINALE | 1/4 FINALE | 1/2 FINALE | FINALE |
|---------------|-------------------------------|------------|-----------------------|------------|-----------------------|
| 1 | ABRAHAMYAN Hamlet (ARM) | 1 1 0 | ARM P1 P2 P3 0 0 0 | 2 0 0 | KAZ P1 P2 P3 0 0 0 |
| 2 | POPOV Dmitriy (KAZ) | 2 3 5 | KAZ P1 P2 P3 1 4 0 | 4 1 1 | IRI P1 P2 P3 0 1 0 |
| 3 | CHINTOAN Rares (ROU) | 3 1 9 | ROU P1 P2 P3 7 2 0 | 4 5 0 | IRI P1 P2 P3 0 0 0 |
| 4 | GHOMIAVILI A. (IRI) | 4 3 10 | IRI P1 P2 P3 9 1 0 | 5 1 2 | UKR P1 P2 P3 2 0 0 |
| 5 | KHOTSIANIVSKYI O. (UKR) | 5 5 4 | UKR P1 P2 P3 4 0 0 | 7 3 4 | IRI P1 P2 P3 2 2 0 |
| 6 | ARAKIDA Nobuyoshi (JPN) | 6 0 0 | JPN P1 P2 P3 0 0 0 | 7 3 4 | IRI P1 P2 P3 0 4 0 |
| 7 | HADIBASMANJ Parviz (IRI) | 7 3 10 | IRI P1 P2 P3 2 8 0 | 10 3 9 | KAZ P1 P2 P3 5 4 0 |
| 8 | LAZAREV Aiaal (KGZ) | 8 1 2 | KGZ P1 P2 P3 2 0 0 | 10 5 4 | KAZ P1 P2 P3 4 0 0 |
| 9 | CSERCICS Richard (HUN) | 9 1 3 | HUN P1 P2 P3 1 2 0 | 12 1 6 | IRI P1 P2 P3 3 3 0 |
| 10 | SHABANBAY Daulet (KAZ) | 10 3 7 | KAZ P1 P2 P3 7 0 0 | 13 0 0 | IRI P1 P2 P3 0 0 0 |
| 11 | SADEGHZADEHNOUKOLAEI J. (IRI) | 11 0 0 | IRI P1 P2 P3 0 0 0 | 15 1 4 | IRI P1 P2 P3 4 0 0 |
| 12 | AZARSHAKIB S. (IRI) | 12 3 4 | IRI P1 P2 P3 2 2 0 | 16 0 0 | HUN P1 P2 P3 0 0 0 |
| 13 | KARIMI Ahmad (IRI) | 13 4 5 | IRI P1 P2 P3 1 4 0 | 18 3 8 | IRI P1 P2 P3 4 4 0 |
| 14 | MODZMANASHVILI D. (GEO) | 14 0 0 | P1 P2 P3 0 0 0 | 18 0 0 | IRI P1 P2 P3 0 0 0 |
| 15 | RASOULI Seyedahmad (IRI) | 15 3 1 | P1 P2 P3 1 0 0 | | |
| 16 | LIGETI Daniel (HUN) | 16 3 7 | P1 P2 P3 3 4 0 | | |
| 17 | ÖZKARADEN?Z Hamza (TUR) | 17 1 7 | P1 P2 P3 3 4 0 | | |
| 18 | GHASEMI Komil (IRI) | 18 3 5 | P1 P2 P3 2 3 0 | | |
| 19 | TRABELSI Slim (TUN) | 19 0 0 | P1 P2 P3 0 0 0 | | |

7 HADIBASMANJ Parviz (IRI)

Classement

| Cl | Pays | Nom |
|----|------|-------------------------|
| 1 | IRI | HADIBASMANJ Parviz |
| 2 | KAZ | SHABANBAY Daulet |
| 3 | IRI | GHOMIAVILI Abdollah |
| 3 | IRI | GHASEMI Komil |
| 5 | KGZ | LAZAREV Aiaal |
| 5 | IRI | AZARSHAKIB S. |
| 7 | UKR | KHOTSIANIVSKYI O. |
| 8 | IRI | KARIMI Ahmad |
| 9 | IRI | RASOULI Seyedahmad |
| 10 | HUN | LIGETI Daniel |
| 11 | KAZ | POPOV Dmitriy |
| 12 | HUN | CSERCICS Richard |
| 13 | ROU | CHINTOAN Rares |
| 14 | TUR | ÖZKARADEN?Z Hamza |
| 15 | ARM | ABRAHAMYAN Hamlet |
| 16 | GEO | MODZMANASHVILI D. |
| 17 | JPN | ARAKIDA Nobuyoshi |
| 17 | IRI | SADEGHZADEHNOUKOLAEI J. |
| 19 | TUN | TRABELSI Slim |

| REPECHAGE | |
|------------------------|-----------------------|
| REPECHAGE FINALISTE 1 | |
| 8 5 3 | KGZ P1 P2 P3 3 0 0 |
| 5 0 0 | UKR P1 P2 P3 0 0 0 |
| 8 1 6 | KGZ P1 P2 P3 6 0 0 |
| 4 3 2 | IRI P1 P2 P3 1 1 0 |
| 4 GHOMIAVILI A. (IRI) | |
| Médaille de Bronze | |
| REPECHAGE FINALISTE 2 | |
| 9 1 5 | HUN P1 P2 P3 5 0 0 |
| 12 3 11 | IRI P1 P2 P3 8 3 0 |
| 12 1 1 | IRI P1 P2 P3 1 0 0 |
| 18 3 1 | IRI P1 P2 P3 0 1 0 |
| 18 GHASEMI Komil (IRI) | |
| Médaille de Bronze | |



Classement

34th FS Wrestling tournament ((Takhti Cup))



STYLE : FS 125 kg

1 - Or / Gold



HADIBASMANJ Parviz

2 - Argent / Silver



SHABANBAY Daulet

3 - Bronze



GHOMIAVILI Abdollah



GHASEMI Komil

| Classement | Nom - Name | Pays - Country |
|------------|-------------------------|----------------|
| 1 | HADIBASMANJ Parviz | IRI |
| 2 | SHABANBAY Daulet | KAZ |
| 3 | GHOMIAVILI Abdollah | IRI |
| 3 | GHASEMI Komil | IRI |
| 5 | LAZAREV Aiaal | KGZ |
| 5 | AZARSHAKIB S. | IRI |
| 7 | KHOTSIANIVSKYI O. | UKR |
| 8 | KARIMI Ahmad | IRI |
| 9 | RASOULI Seyedahmad | IRI |
| 10 | LIGETI Daniel | HUN |
| 11 | POPOV Dmitriy | KAZ |
| 12 | CSERCICS Richard | HUN |
| 13 | CHINTOAN Rares | ROU |
| 14 | ÖZKARADEN?Z Hamza | TUR |
| 15 | ABRAHAMYAN Hamlet | ARM |
| 16 | MODZMANASHVILI D. | GEO |
| 17 | ARAKIDA Nobuyoshi | JPN |
| 17 | SADEGHZADEHNOUKOLAEI J. | IRI |
| 19 | TRABELSI Slim | TUN |

**TOP 10****34th FS Wrestling tournament ((Takhti Cup))****STYLE FS****125 Kg**

| Place | Pays | Nom | Prenom |
|-------|------|---------------|-------------------|
| 1 | IRI | HADIBASMANJ | Parviz |
| 2 | KAZ | SHABANBAY | Daulet |
| 3 | IRI | GHOMIAVILI | Abdollah |
| 3 | IRI | GHASEMI | Komil |
| 5 | IRI | AZARSHAKIB | Seyedmohammadreza |
| 5 | KGZ | LAZAREV | Aiaal |
| 7 | UKR | KHOTSIAIVSKYI | Oleksandr |
| 8 | IRI | KARIMI | Ahmad |
| 9 | IRI | RASOULI | Seyedahmad |
| 10 | HUN | LIGETI | Daniel |

70 Kg

| Place | Pays | Nom | Prenom |
|-------|------|------------------|---------------|
| 1 | IRI | HOSSEINKHANI | Mostafa |
| 2 | IRI | YARAHMADI | Peyman |
| 3 | IRI | DADASHPOURKARIKA | Saeid |
| 3 | IRI | LAEI | |
| 3 | IRI | YEGANEHJAFARI | Mohammadmehdi |
| 5 | KAZ | OMURZHANOV | Azamat |
| 5 | KAZ | SAKAYEV | Bolat |
| 7 | PRK | YANG CHUN | Song |
| 8 | UKR | NAGORNYI | Andrii |
| 9 | KAZ | AZIZOV | Aslan |
| 10 | IRI | GOODARZISORKHI | Morteza |

57 Kg

| Place | Pays | Nom | Prenom |
|-------|------|----------------|----------|
| 1 | PRK | JONG HAK | Jin |
| 2 | KAZ | KALIYEV | Rasaul |
| 3 | PRK | YANG KYONG | Il |
| 3 | MGL | NOMIN | Batbold |
| 5 | IRI | SARMASTIDIZAJI | Younes |
| 5 | IRI | ATRINAGHARCHI | Reza |
| 7 | JPN | MORISHETA | Fumitaka |
| 8 | KAZ | BAIMURATOV | Aidarbek |
| 9 | GEO | GOGAVA | Otari |
| 10 | KAZ | ISMAILOV | Zhandos |

74 Kg

| Place | Pays | Nom | Prenom |
|-------|------|-------------------|------------|
| 1 | IRI | AFZALIPAEMAMI | Reza |
| 2 | IRI | MOHAMMADIAN | Iman |
| 3 | IRI | AKBARIZARINKOLAEI | Ezzatollah |
| 3 | IRI | REZAEIKALVANI | Hamed |
| 5 | KGZ | SHOPOKOV | Iskhakbek |
| 5 | KAZ | BARAMIDZE | Tsotne |
| 7 | KAZ | TANATAROV | Akzhurek |
| 8 | KAZ | ZAKIROV | Zhiger |
| 9 | IRI | REZAEIGHALEH | Morteza |
| 10 | MGL | ANKHBAYAR | Batchuluun |

61 Kg

| Place | Pays | Nom | Prenom |
|-------|------|-----------------|------------|
| 1 | KAZ | NIYAZBEKOV | Daulet |
| 2 | UKR | FEDRRYSHIN | Vasyl |
| 3 | IRI | MOHAMMADIPAHNEH | Seyedahmad |
| 3 | IRI | KOLAE | |
| 3 | JPN | TAKATSUKA | Noriyuki |
| 5 | PRK | RI JONG | Myong |
| 5 | ARM | FRANGULYAN | Valodya |
| 7 | MGL | LKHAMGARMAA | Narmandakh |
| 8 | KAZ | TURGAN | Nurlan |
| 9 | KGZ | BAZARGURUEV | Bazar |
| 10 | KAZ | ASHIROV | Meirzhan |

86 Kg

| Place | Pays | Nom | Prenom |
|-------|------|------------------|-----------------|
| 1 | IRI | MOSTAJOUKAR | Meisam |
| 2 | IRI | ZAMAN | Jalal |
| 3 | IRI | EBRAHIMIZIVLAEI | Mohammadjavad |
| 3 | IRI | NEJAEYANAHMADIAN | Esmail |
| 5 | IRI | KARIMIMACHIANI | Alireza |
| 5 | KAZ | ABARASHEV | Yeraly |
| 7 | IRI | MOHAMMADIN | Mohammadhossein |
| 8 | AZE | ABDULKHALIKOV | Magomed |
| 9 | KAZ | KAKHIDZE | Aslan |
| 10 | KAZ | NURZHUMBAYEV | Yesbolat |

65 Kg

| Place | Pays | Nom | Prenom |
|-------|------|-----------------|-------------|
| 1 | IRI | NASIRI | Meysam |
| 2 | GEO | KHABALASHVILI | Konstantine |
| 3 | IRI | KOLIVAND | Farzad |
| 3 | KAZ | ZHUMAGAZYEV | Dauren |
| 5 | JPN | TAKATANI | Daichi |
| 5 | IRI | NASIRIAFRACHALI | Ebrahim |
| 7 | AZE | AZIMOV | Joshan |
| 8 | IRI | RASHIDI | Hamed |
| 9 | UKR | RADULOV | Semen |
| 10 | ROU | BUCUR | George |

97 Kg

| Place | Pays | Nom | Prenom |
|-------|------|-------------------|---------|
| 1 | IRI | TALEBIZARRINKAMAR | Hamed |
| 2 | IRI | TAHAN | Abbas |
| 3 | GEO | KERASHVILI | Dato |
| 3 | UKR | OLIINYK | Pavlo |
| 5 | KGZ | MUSAEV | Magomed |
| 5 | AZE | BAKIROV | Roman |
| 7 | IRI | JAMSHIDI | Pedram |
| 8 | TUR | DOULU | Emrullh |
| 9 | TUR | BONCUOGLU | Ali |
| 10 | IRI | MOHAMMADI | Amir |



Meilleur technicien

34th FS Wrestling tournament ((Takhti Cup))

STYLE FS



Meilleur Technicien



61 KG - NIYAZBEKOV Daulet (KAZ)

47 PTS Techniques

| Place | Nom | Poids | Pts. techniques | Nb tombés |
|--------------|-------------------------------|--------------|------------------------|------------------|
| 1 | NIYAZBEKOV Daulet (KAZ) | 61 KG | 47 | 2 |
| 2 | JONG HAK Jin (PRK) | 57 KG | 35 | 1 |
| 3 | AFZALIPAEMAMI Reza (IRI) | 74 KG | 34 | 0 |
| 4 | MOSTAJOUKAR Meisam (IRI) | 86 KG | 29 | 0 |
| 5 | HOSSEINKHANI Mostafa (IRI) | 70 KG | 27 | 0 |
| 6 | NASIRI Meysam (IRI) | 65 KG | 23 | 0 |
| 7 | TALEBIZARRINKAMAR Hamed (IRI) | 97 KG | 22 | 0 |
| 8 | HADIBASMANJ Parviz (IRI) | 125 KG | 19 | 0 |

